

Fuses for Semiconductor Protection - European Standard



Class:	gR / aR
Voltage ratings:	440V _{AC} to 500V _{AC}
Current ratings:	2A to 200A
Standards:	IEC 60269-4 DIN VDE 0636-40 DIN 49515 / 49360 DIN 43653

SIBA D-Fuse also known as Diazed and Neozed

Features and Benefits

- ▶ Class gR for rated current to 100A
Class aR for rated current above 100A
- ▶ All fuses have blown fuse indication
- ▶ Protection of power semiconductors according to IEC 60269-4
- ▶ Fuse bases and accessories available

Fuses for Applications

Article	Description	Selection Guide	Technical Data
500V_{AC}			
1000207	ND - E16	206	206 - 207
1000507	DII - E27		
1000707	DIII - E33		
1000907	DIV - R1-1/4"		
1001007	DV - R2"		
440V_{AC}			
1002707	D01 - E14	208	208 - 209
1002807	D02 - E18		
1002907	D03 - M30x2		



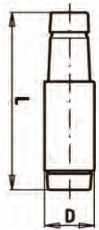
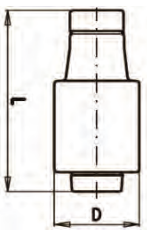
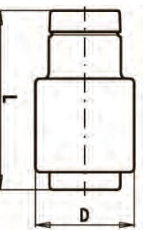
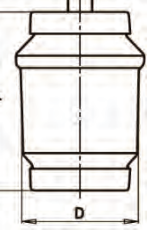

URD	Rated Voltage [U _n] 500V _{AC}	Rated Breaking Test Capacity 100kA	Class gR	Standard(s) IEC 60269-4 VDE 0636 Part 40 DIN 49365
------------	---	--	--------------------	--

Size ND, DII, DIII, DIV & DV

Rated Current [A]	ND Article Number	DII Article Number	DIII Article Number	Power Loss [W]	Pre-arc I ² t [A ² s]	Total I ² t @ 230V _{DC} [A ² s]	Total I ² t @ 500V _{AC} [A ² s]
2	1000207.2*	1000507.2*		1.8	1	1.5	2
4	1000207.4*	1000507.4*		3.1	4	6	8
6	1000207.6	1000507.6		4	6	8	11
10	1000207.10	1000507.10		6	13	17	25
16	1000207.16	1000507.16		7	26	40	55
20	1000207.20	1000507.20		8	45	70	100
25	1000207.25	1000507.25		10	75	115	170
30	1000207.30	1000507.30		12	125	205	330
35			1000707.35	13	185	290	425
50			1000707.50	16	430	750	1 160
63			1000707.63	19	670	1 260	1 850
Weight [kg / 1]							
	0.016	0.031	0.031				
Units per Package							
	50	5	5				
	* No Indicator	* No Indicator					

Rated Current [A]	DIV Article Number	DV Article Number	Power Loss [W]	Pre-arc I ² t [A ² s]	Total I ² t @ 230V _{DC} [A ² s]	Total I ² t @ 500V _{AC} [A ² s]
80	1000907.80		33	800	1 500	2 300
100	1000907.100		42	1 400	2 700	4 500
125		1001007.125	32	3 400	6 500	11 200
160		1001007.160	43	6 800	13 000	23 100
200		1001007.200	56	10 000	19 000	35 000
Weight [kg / 1]						
	0.116	0.116				
Units per Package						
	5	5				

Dimensions [in / mm]

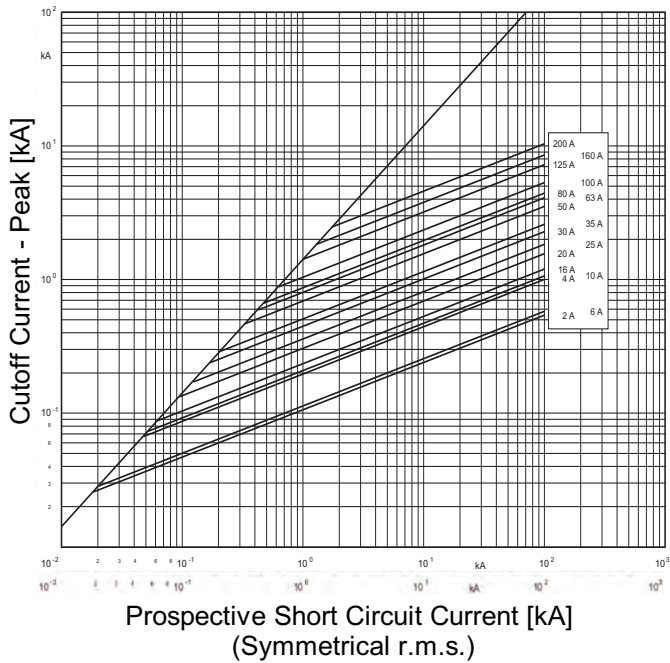
	ND 1000207	DII 1000507	DIII 1000707	DIV 1000907	DV 1001007
					
D	0.50 / 12.5	0.87 / 22	1.06 / 27	1.30 / 33	1.80 / 46
L	1.97 / 50	1.97 / 50	1.97 / 50	1.97 / 50	1.97 / 50



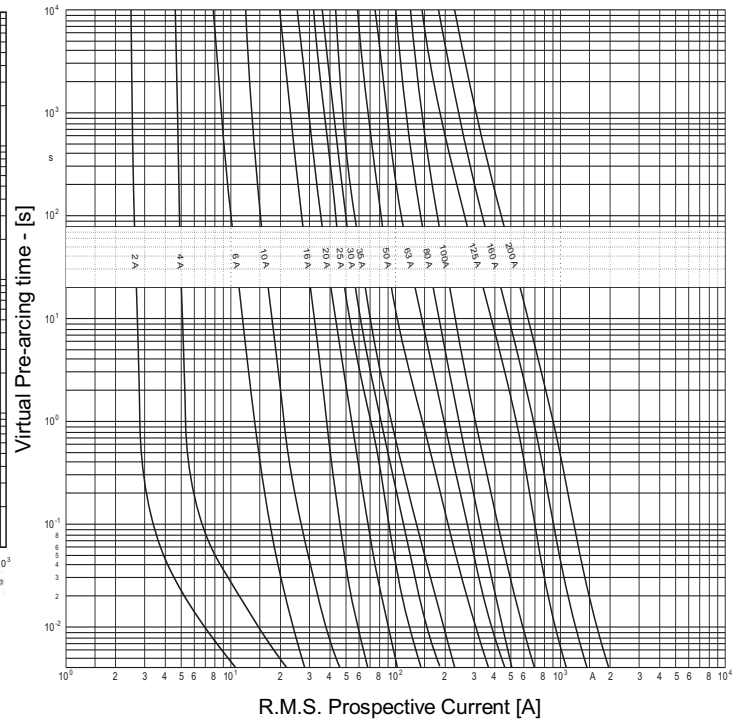
FUSES

URD	Rated Voltage [U _n] 500V _{AC}	Rated Breaking Test Capacity 100kA	Test Voltage 500V _{AC}	Class gR	Standard(s) IEC 60269-4 VDE 0636 Part 40 DIN 49365
Size ND, DII, DIII, DIV & DV					

Cut-Off current Characteristics



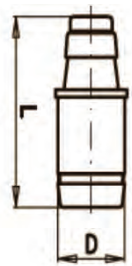
Time-Current Characteristics



URD	Rated Voltage [U _n] 440V _{AC}	Rated Breaking Test Capacity 100kA	Class gR	Standard(s) IEC 60269-4 VDE 0636 Part 40 DIN 49522
------------	---	--	--------------------	--

Size D01, D02 & D03

Rated Current [A]	D01 Article Number	D02 Article Number	D03 Article Number	Power Loss [W]	Pre-arc i ² t [A ² s]	Total i ² t @ 230V _{DC} [A ² s]	Total i ² t @ 400V _{AC} [A ² s]
2				2.5	1	1.5	3.5
6	1002707.6			3.3	4	6	10
10	1002707.10			4.3	10	15	25
16	1002707.16			5.9	25	40	65
20		1002807.20		5	40	60	100
25		1002807.25		6	65	100	170
35		1002807.35		8	140	240	400
50		1002807.50		11	420	900	1 500
63		1002807.63		15	640	1 450	2 400
80			1002907.80	18	860	2 000	3 300
100			1002907.100	22	1 400	3 400	5 600
Weight [kg per 1]							
	0.006	0.014	0.042				
Units per Package							
	50	25	25				

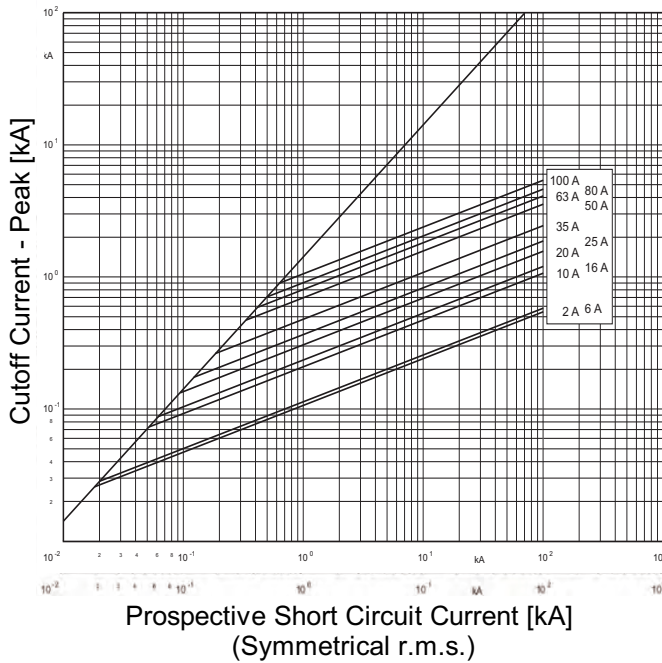
Dimensions [in / mm]		D01 1002707	D02 1002807	D03 1002907
				
D		0.43 / 11	0.60 / 15.3	0.90 / 22.5
L		1.42 / 36	1.97 / 50	1.70 / 43



FUSES

URD	Rated Voltage [U _n] 440V _{AC}	Rated Breaking Test Capacity 100kA	Rated Breaking Test Voltage 500V _{AC}	Class gR	Standard(s) IEC 60269-4 VDE 0636 Part 40 DIN 49522
Size D01, D02 & D03					

Cut-Off current Characteristics



Time-Current Characteristics

