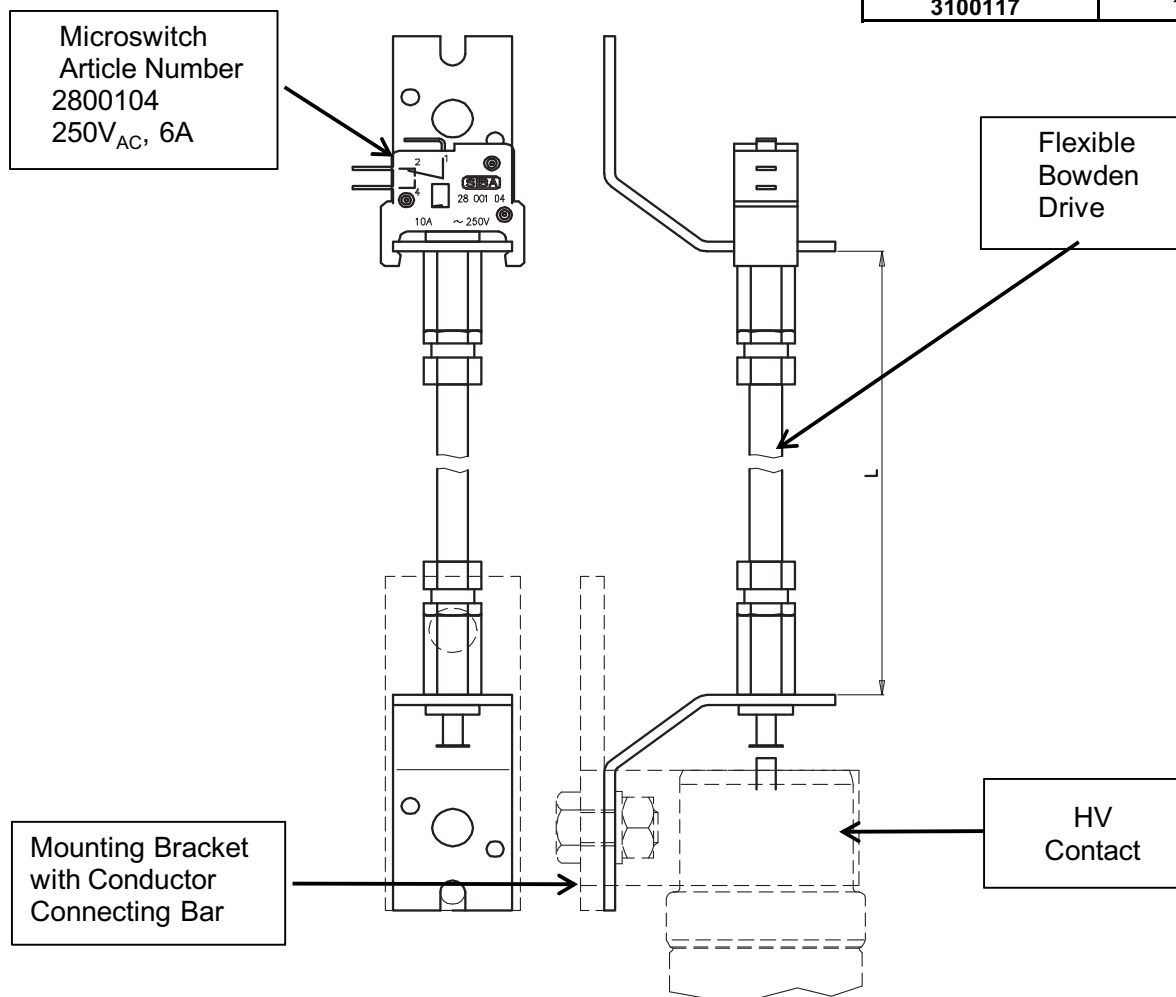


Microswitch Assembly Unit for Remote Monitoring of HHD Fuse

The SIBA microswitch assembly unit provides a means of remote monitoring and / or supervising the switching status of the HHD fuses with integral strikers. The assembly unit consist of a flexible cable Bowden Drive that has two mounting brackets, one at each end of the cable drive. The first bracket mounts a pre-determined distance from the fuses' striker. When the fuses' striker activates, the linear motion of the striker is transferred through the flexible drive to the other bracket that incorporates the microswitch that changes the state of the contacts that are internal. The microswitch has two change over output contacts, one set that is normally open and the other set that is normally closed for logic level choice. Both contacts rated for 250Vac, 6A.

Article Number	Length L[mm]
3100110	660
3100114	900
3100116	250
3100117	1 200



HHD-ACC

HHD Accessories High Voltage Fuse Bases For Indoor Applications

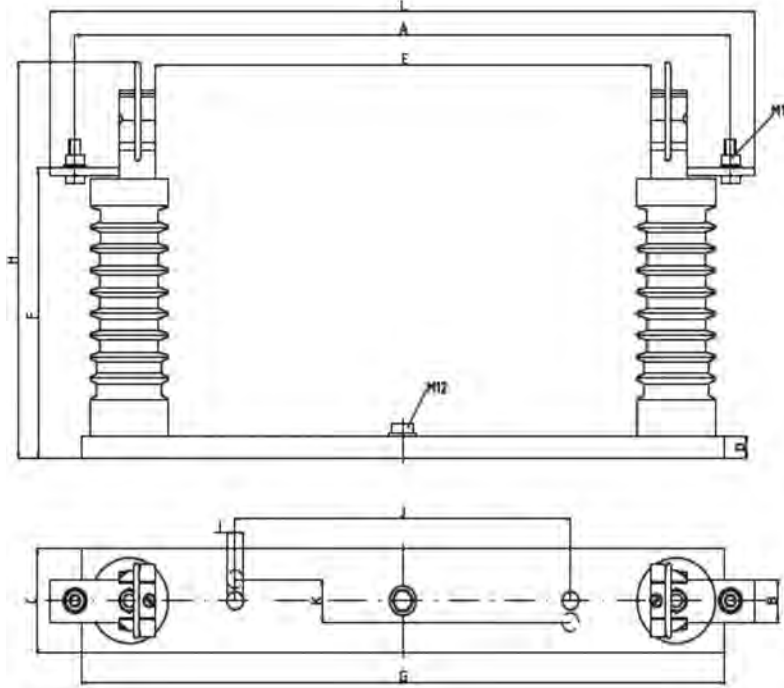
Standard(s)
DIN 43624

Rated current: 200A

Insulators: cast resin

Base plate: Structural steel, thick film passivated

Contacts: E-Cu, nickel plated with clamping bow



	Rated Voltage						
	7.2kV	7.2kV	12 kV	12 kV	24 kV	17.5kV/24 kV	36kV
	E = 192 mm	E = 442 mm	E = 292 mm	E = 442 mm	E = 442 mm	E = 292 mm	E = 537 mm
	Article No.	Article No.	Article No.	Article No.	Article No.	Article No.	Article No.
	3100102*	3110102*	3100302*	3110102*	3100502*	3122101	3100702
Dimensions [in / mm]							
A	13.78 / 350	23.62 / 600	17.72 / 450	23.62 / 600	23.62 / 600	17.72 / 450	27.36 / 695
B	1.37 / 35	1.37 / 35	1.37 / 35	1.37 / 35	1.37 / 35	1.37 / 35	1.37 / 35
C	3.35 / 85	3.35 / 85	3.35 / 85	3.35 / 85	3.35 / 85	3.35 / 85	3.35 / 85
D	0.71 / 18	0.71 / 18	0.71 / 18	0.71 / 18	0.71 / 18	0.71 / 18	0.71 / 18
E	7.60 / 193	17.44 / 443	11.53 / 293	17.44 / 443	17.44 / 443	11.56 / 293	21.18 / 538
F	6.18 / 157	6.18 / 157	6.18 / 157	6.18 / 157	9.33 / 237	9.33 / 237	12.87 / 327
G	12.20 / 310	22.60 / 574	16.14 / 410	22.60 / 574	22.60 / 574	16.14 / 410	26.61 / 676
H	9.57 / 243	9.57 / 243	9.57 / 243	9.57 / 243	12.72 / 323	12.72 / 323	16.26 / 413
I	0.59 / 15	0.59 / 15	0.59 / 15	0.59 / 15	0.59 / 15	0.59 / 15	0.59 / 15
J	2.17 / 55	11.81 / 300	7.09 / 180	11.81 / 300	11.81 / 300	7.09 / 180	14.96 / 380
K	1.37 / 35	—	—	—	—	—	—
L	14.96 / 380	24.80 / 630	18.90 / 480	24.80 / 630	24.80 / 630	18.90 / 480	28.54 / 725

* For fuses rated 200A and greater, Change last two digits from 01 or 02 to 06

40.5kV
E = 537 mm
Article No.
Contact SIBA

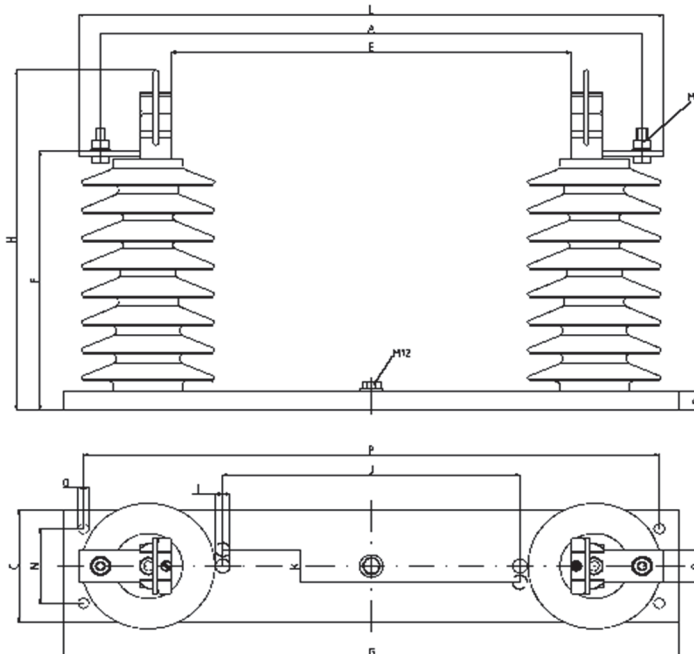
HHD-ACC **HHD Accessories** **Standard(s)**
High Voltage Fuse Bases **DIN 43624**
For Outdoor Applications

Rated current: 200A

Insulators: cast resin

Base plate: Structural steel, zinc plated

Contacts: E-Cu, nickel plated with clamping bow



	Rated Voltage						
	7.2kV		12kV	24kV		36kV	40.5kV
	E = 192 mm		E = 292 mm	E = 442 mm		E = 537 mm	E = 537 mm
Article No.		Article No.	Article No.		Article No.	Article No.	
	3100201*		3100401*	3100601*		3100801	3134001
Dimensions [in / mm]							
A	13.78 / 350		17.72 / 450	23.62 / 600		27.36 / 695	27.36 / 695
B	1.37 / 35		1.37 / 35	1.37 / 35		1.37 / 35	
C	4.72 / 120		4.72 / 120	4.72 / 120		4.72 / 120	4.72 / 120
D	0.79 / 20		0.79 / 20	0.79 / 20		0.79 / 20	0.79 / 20
E	7.60 / 193		11.53 / 293	17.48 / 444		21.18 / 538	21.18 / 538
F	9.41 / 239		9.41 / 239	10.98 / 279		15.31 / 389	20.83 / 529
G	16.14 / 410		20.08 / 510	25.98 / 660		30.91 / 785	30.91 / 785
H	12.80 / 325		12.80 / 325	14.37 / 365		18.70 / 475	24.21 / 615
I	0.59 / 15		0.59 / 15	0.59 / 15		0.59 / 15	0.59 / 15
J	2.17 / 55		7.09 / 180	11.81 / 300		14.96 / 380	14.96 / 380
K	1.37 / 35		—	—		—	—
L	14.96 / 380		18.90 / 480	24.80 / 630		28.54 / 725	28.54 / 725
N	3.15 / 80		3.15 / 80	3.15 / 80		3.15 / 80	3.15 / 80
O	0.43 / 11		0.43 / 11	0.43 / 11		0.43 / 11	
P	14.57 / 370		18.50 / 470	24.41 / 620		18.70 / 745	18.70 / 745

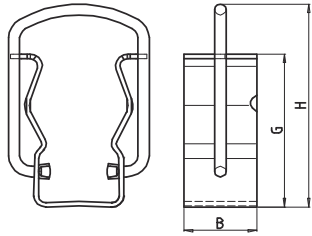
* For fuses rated 200A and greater, Change last two digits from 01 to 06

HHD-ACC

HHD Accessories
High Voltage Fuse Contacts

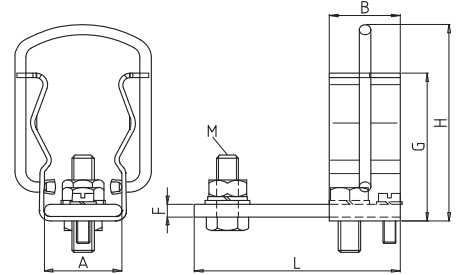
Spring Contact for ≤ 200A

Spring Contact w/connecting bar for ≤ 200A



3100302.20

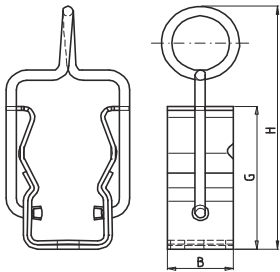
Dimensions [in/mm]		
Article Number		
3100302.20		3400201
—	A	1.38 / 35
1.26 / 32	B	1.26 / 32
—	F	0.24 / 6
2.81 / 71.5	G	2.81 / 71.5
3.74 / 95	H	3.74 / 95
—	L	3.66 / 93
M10	M	M10
Weight [kg/1]		
0.14		0.38



3400201

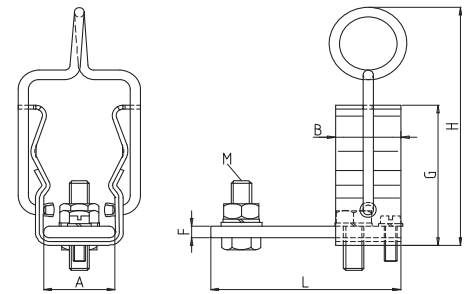
Spring Contact for > 200A

Spring Contact w/connecting bar for > 200A



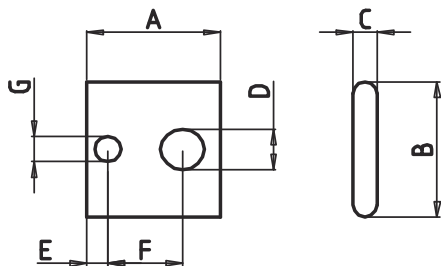
3400101.20

Dimensions [in/mm]		
Article Number		
3400101.20		3400102
—	A	1.38 / 35
1.26 / 32	B	1.26 / 32
—	F	0.24 / 6
2.89 / 73.5	G	2.89 / 73.5
4.92 / 125	H	4.92 / 125
—	L	3.66 / 93
M10	M	M10
Weight [kg/1]		
0.20		0.47



3400102

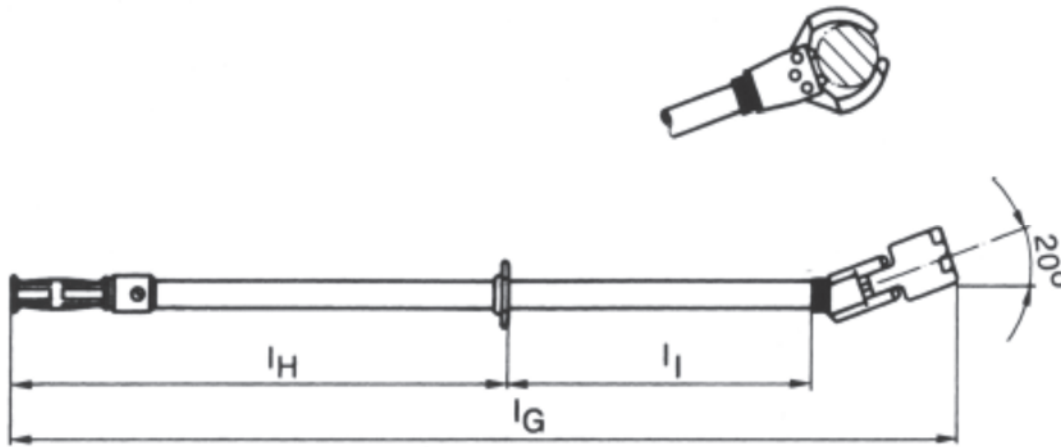
Spacer



3100201.3

Dimensions [in/mm]	
Article Number	
3100201.3	
A	1.26 / 32
B	1.38 / 35
C	0.24 / 6
D	0.41 / 10.5
E	0.20 / 5
F	0.71 / 18
G	0.26 / 6.5
Weight [kg/1]	
0.04	

HHD-ACC **HHD Accessories** **Standard(s)**
High Voltage Fuse Insertion/Removal Tool **DIN 57 681**
Rated Voltage 30kV



3200526

Dimensions [in/mm]	
Article Number	
3200526	
l_G	1.26 / 1250
l_I	1.38 / 525
l_H	0.24 / 540
Weight [kg/1]	
2.0	